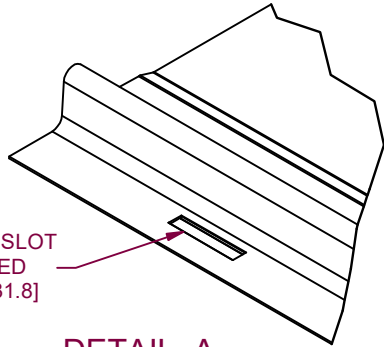
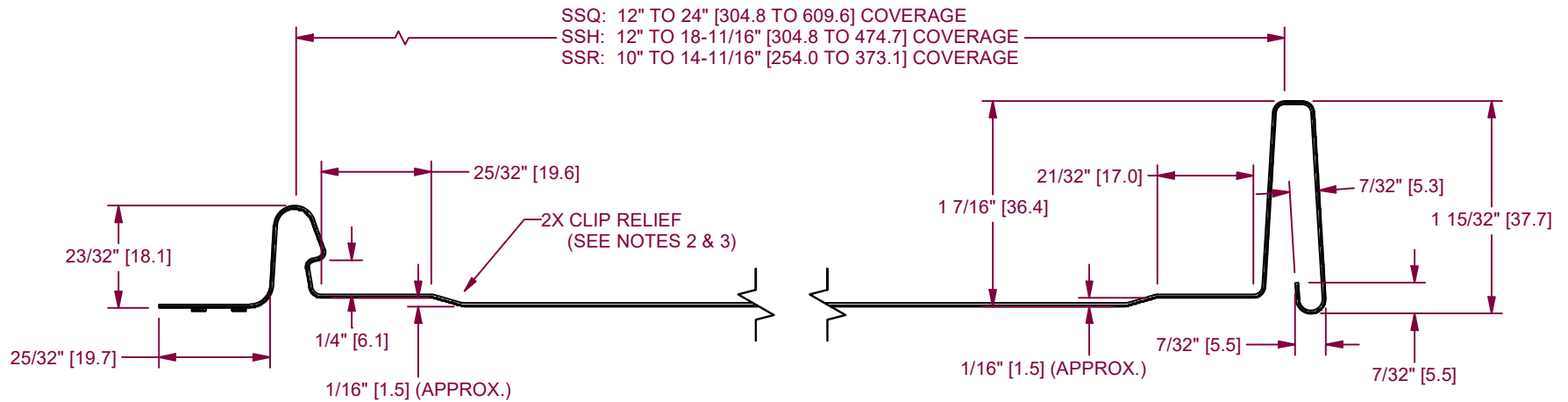
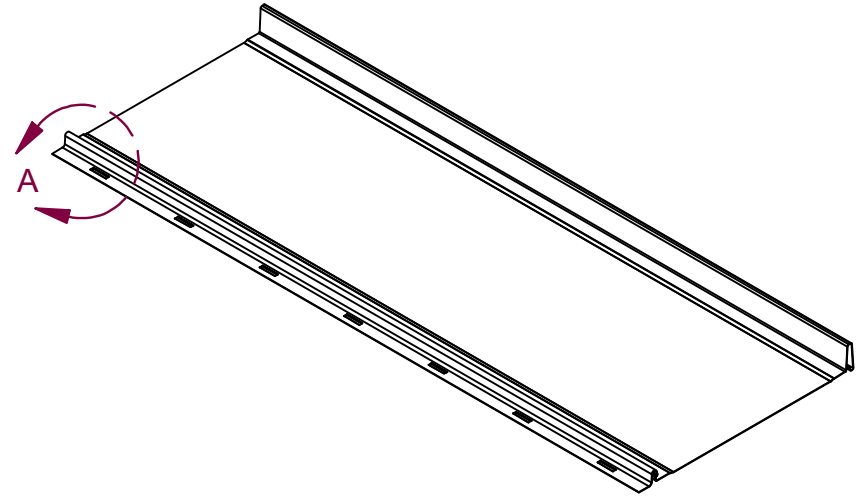


1" x 1/4" [25.4 x 6.4] SLOT
EQUALLY SPACED
EVERY 5 3/16" [131.8]



DETAIL A



3 ADDED SSH AND SSR PANEL WIDTHS

- NOTES:
1. MATERIAL USAGE: 5 5/16" APPROX.
 2. CLIP RELIEF ROLLERS ARE STANDARD WITH THIS PANEL.
 3. PANEL IS SHOWN WITH CLIP RELIEF ROLLERS ENGAGED.
 4. DUAL DIMENSIONS: Inch [mm]

MATERIAL PAINTED STEEL/PAINTED ALUMINUM/COPPER				FINISH NONE	
REVISION HISTORY	REV	ECR NO.	DATE	RELEASED BY	TOLERANCES
	0	TENTATIVE	11/02/2007	UNK	.XX = ± .01
	1	R-1538	05/21/2008	UNK	.XXX = ± .005
	2	R-1796	09/22/2011	BT	FRACTION = ± 1/32"
3	R-2368	6/11/2020	AJB	ANGLE = ± 1/2°	

NEW TECH MACHINERY CORP.

DRAWN BY AJB		PART NAME FF150 PANEL PROFILE	
DATE 11/02/2007			
CHECK BY BT		PART NUMBER FF5-FF5	
DATE 09/22/2011		SHEET 1 OF 1	
		REVISION 3	